

Overview

The CB-MSA-43 Rough-In Box (FG2265-10) is an optional accessory for the Modero S Series® 4.3" Wall Mount Touch Panel. It allows the panel to be mounted directly to the studs/pre-wall.

The back of the Modero S Series 4.3" Wall Mount Touch Panel is contained within a plastic outer housing or *back box*, and the back box attaches to the Rough-In Box. The Rough-In Box kit includes a wall box and cover and mounting screws.

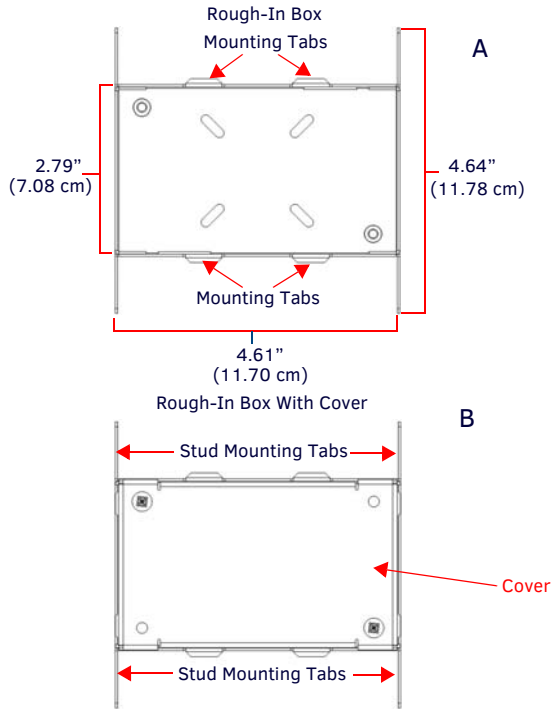


FIG. 1 CB-MSA-43 ROUGH-IN BOX - WITH FRONT COVER

WARNING: In order to guarantee a stable installation of the touch panel, the distance between the CB-MSA-43 and the outer wall surface must be a minimum of .50 inches (1.27cm) and a maximum of 1.50 inches (3.81cm).

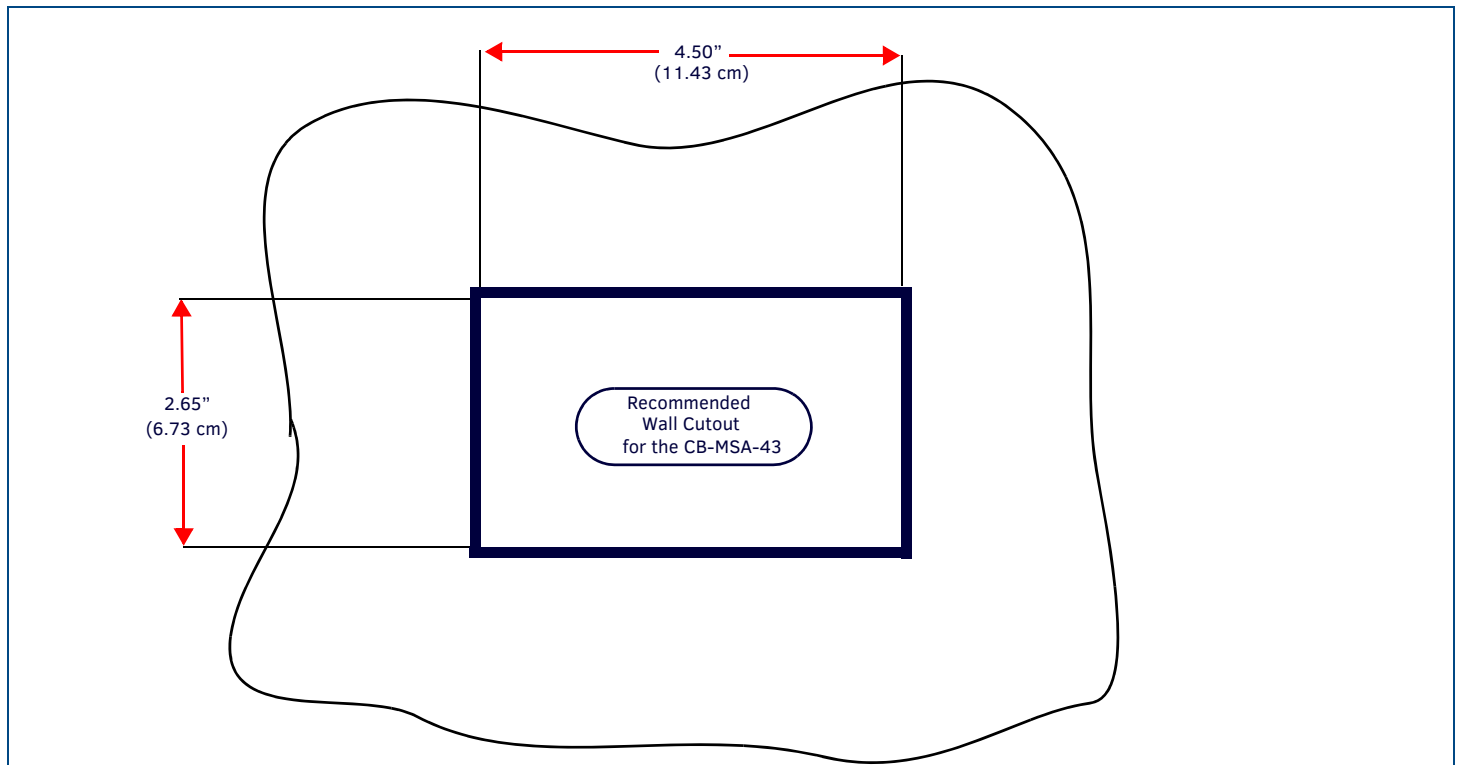
- Refer to the 95-2265-10 diagram for detailed installation dimensions.

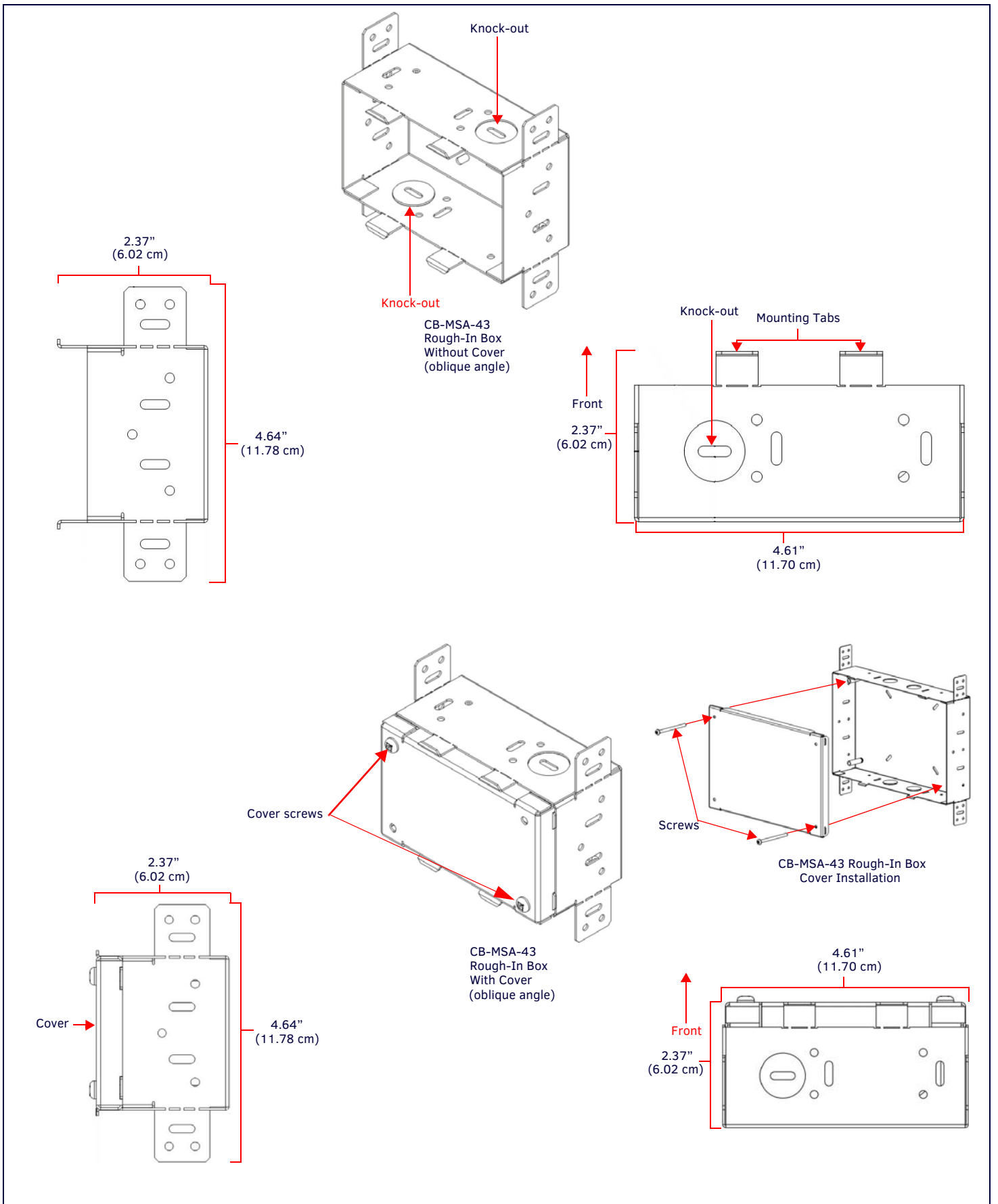
CB-MSA-43 (FG2265-10) SPECIFICATIONS	
Dimensions (HWD)	<ul style="list-style-type: none"> • Rough-In Box: 4.64" x 4.61" x 2.37" (11.78 cm x 11.70 cm x 5.60 cm) • Rough-In Box Cover Plate: 2.79" x 4.61" x 0.47" (7.08 cm x 11.70 cm x 1.19 mm)
Weight	<ul style="list-style-type: none"> • With cover: 0.60 lbs (0.27 kg) • Without cover: 0.40 lbs (0.18 kg)
Certifications	<ul style="list-style-type: none"> • cTUVus Listed • UL Listed
Included Accessories:	<ul style="list-style-type: none"> • Cover Plate for Rough-in Box (62-2265-22) • Cover Plate to Rough-In Box Mounting Screws (2) (80-2265-01)

Pre-Wall Installation of the CB-MSA-43 Rough-In Box

1. Remove the rough-in box cover (B in FIG. 1) before installation of the Rough-In Box (A). *Note: the cover MUST be removed before drywall installation. The cover may be reinstalled after drywall installation using 4-40 screws (not included).* The mounting tabs on the front of the rough-in box (A) are intended to allow additional anchoring of the rough-in box to its wall, but these can be removed if necessary.
2. Fasten the CB-MSA-43 rough-in box to the stud through the holes on the Stud Mounting tabs, using either nails or screws (not provided).
3. Remove the appropriate wiring knockouts from the rough-in box to accommodate the cables being threaded through to the 7" Wall Mount Touch Panel.
4. Thread the incoming Ethernet and USB wiring through the bottom knockout. Leave enough slack in the wiring to accommodate installation of the touch panel.
5. Install the drywall/sheetrock before inserting the back box for the CB-MSA-43.
6. Cut out the opening for the Wall Mount Touch Panel back box where the wall has been placed over the Rough-In Box. Cutting out the surface slightly smaller than what is outlined in the installation drawings, so that you can make any necessary cutout adjustments, is very highly recommended.

NOTE: The front cover of the CB-MSA-43 (B in FIG. 1) should be installed after the appropriate wiring is pulled to the Rough-In Box. The cover should then be removed prior to the installation of the touch panel back box and discarded. Do NOT discard the cover screws, as they are used to secure the Back Box.
7. Remove the matching knockouts on the touch panel's Back Box. Install the touch panel's Back Box into the opening, allowing the stand-ups for the cover screws to pass through the back of the Back Box. Secure the Back Box to the Rough-In Box with the cover screws, pass the touch panel's wiring through the Back Box knockouts, and install the touch panel.





Last Revised: 11/05/2015

© 2015 Harman. All rights reserved. Modero, Modero S Series, AMX, AV FOR AN IT WORLD, HARMAN, and their respective logos are registered trademarks of HARMAN. Oracle, Java and any other company or brand name referenced may be trademarks/registered trademarks of their respective companies.

AMX does not assume responsibility for errors or omissions. AMX also reserves the right to alter specifications without prior notice at any time. The AMX Warranty and Return Policy and related documents can be viewed/downloaded at www.amx.com.

3000 RESEARCH DRIVE, RICHARDSON, TX 75082 AMX.com | 800.222.0193 | 469.624.8000 | +1.469.624.7400 | fax 469.624.7153

AMX (UK) LTD, AMX by HARMAN - Unit C, Auster Road, Clifton Moor, York, YO30 4GD United Kingdom • +44 1904-343-100 • www.amx.com/eu/

93-2265-10 REV: B

