

Overview

The MXA-RMK-10 Modero X Series® Rack Mount Kit (FG5969-62) is an optional accessory for the MXD-1000 10.1" Modero X Series Wall/Flush Mount Touch Panel (FIG. 1). The kit allows the touch panel to be mounted directly on an equipment rack, and includes a rack mount frame, screws and washers.

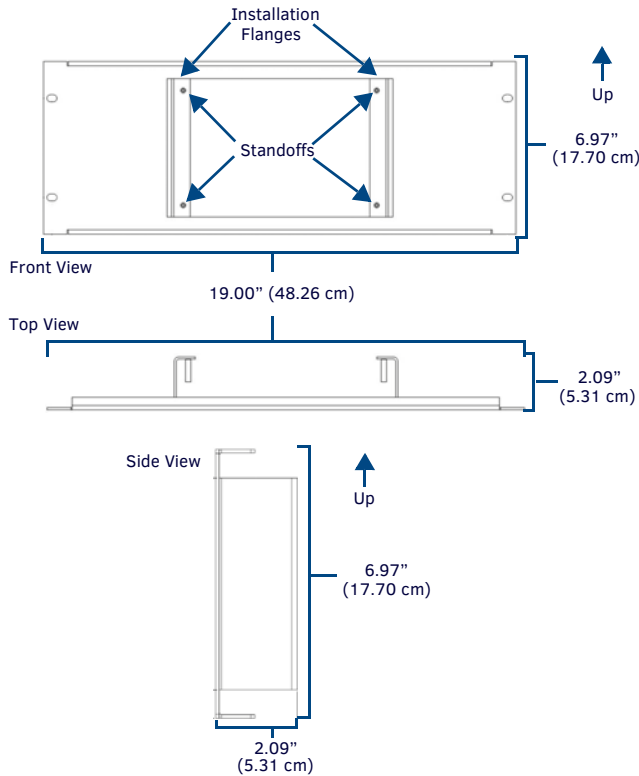


FIG. 1 MXA-RMK-10

Product Specifications

MXA-RMK-10 (FG5969-62) SPECIFICATIONS	
Dimensions (HWD):	6.97" x 19.00" x 2.09" (17.70 cm x 48.26 cm x 5.31 cm)
Weight:	3.25 lbs (1.47 kg)
Included Accessories:	<ul style="list-style-type: none"> • MXA-RMK-10 Installation Guide (93-5969-62) • Rack Mount Panel, 10" Modero Wall Touch Panel (62-5968-44) • Screws, #10-32 PFH 1.75" Long, Black (4) (80-5968-01) • Screws, #6-32 x .375, PPH, Black (4) (80-0138) • Washers, #6, Flat, 3/8 Diameter, .03 Thick, Stainless Steel (4) (80-0322-01)
Other AMX Equipment:	<ul style="list-style-type: none"> • MXD-1000 10" Modero X Series Panoramic Wall Touch Panel, Landscape Mount (FG5968-13)

Installation of the MXA-RMK-10

The MXA-RMK-10 offers a stable installation mount for the MXD-1000 through the panel's Back Box.

NOTE: The MXA-RMK-10 Rack Mount Kit may only be used with the landscape mount of the MXD-1000 touch panel (FG5968-13). It cannot be used with the portrait mount of the MXD-1000.

NOTE: All doors, covers, and other obstacles preventing installation of the Rack Mount Kit should be removed before installation is attempted. Due to the size of the Modero X Series panel, it may not be possible to close racks that contain a rack door, once installation is complete.

To install the MXA-RMK-10:

1. Secure the Rack Mount Panel to the rack with #10 screws. Make sure that the installation flanges (FIG. 2 and FIG. 3) face away from the front of the rack (FIG. 1).
2. Insert the Back Box into the Rack Mount Panel, making sure that the Back Box is in the correct orientation. The standoffs on the installation flanges will pass through the Back Box and help anchor it in place.
3. Pass a washer through a #6 screw and insert it in a standoff screw hole (FIG. 2). Repeat this procedure at each corner of the Back Box.

WARNING: The maximum recommended torque to be used on the Back Box installation screws is 5 IN-LB [56 N-CM]. Applying excessive torque while tightening the screws, such as with powered screwdrivers, can strip out the screw holes or damage the plastic back box. .

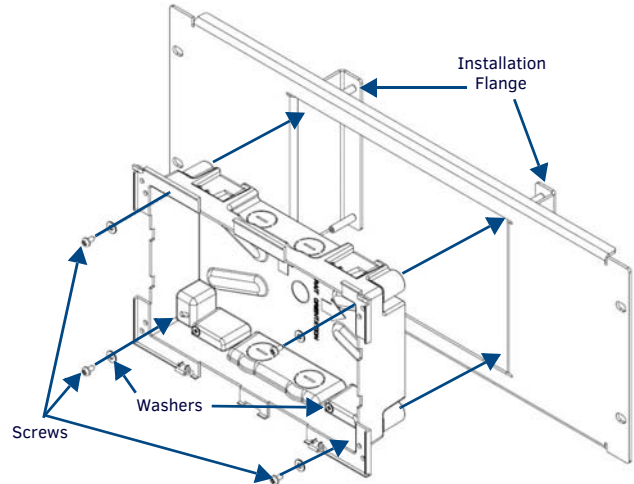


FIG. 2 INSTALLATION OF THE BACK BOX INTO THE MXA-RMK-10, FRONT VIEW

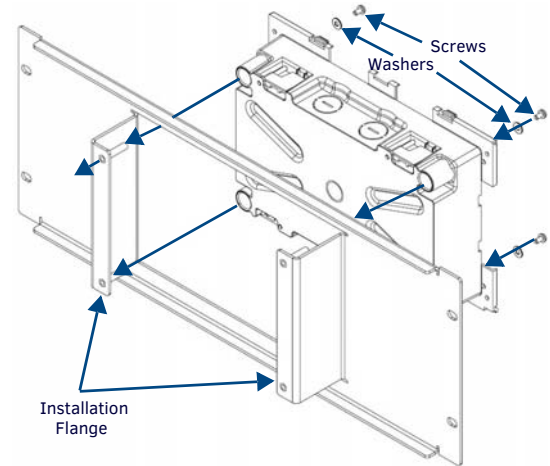


FIG. 3 INSTALLATION OF THE BACK BOX INTO THE MXA-RMK-10, REAR VIEW

4. With the Back Box anchored in the Rack Mount Panel (FIG. 4), you may now install the MXD-1000 into the Back Box.

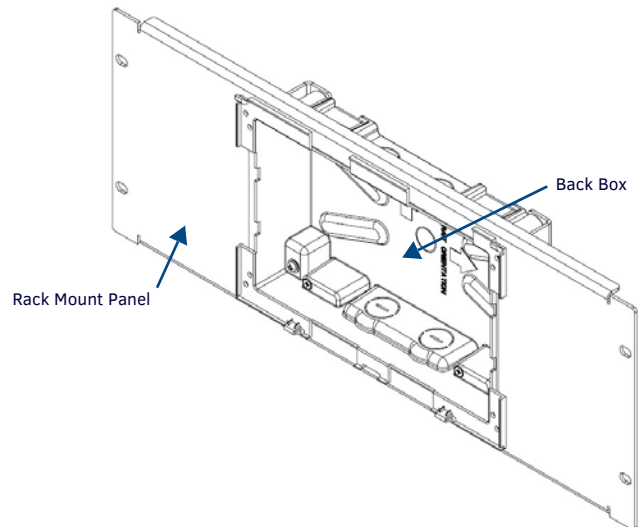


FIG. 4 FINAL ASSEMBLY OF THE MXA-RMK-10 WITH BACK BOX

NOTE: For more information on installing the MXD-1000 into its back box, please refer to the MXD/T-1000 Operation Reference Guide, available from www.amx.com.

A Note About Wall and Rack Installation

Some products are installed in areas of differing temperature and cooling methodologies. These include products installed in walls, racks, cabinets, etc. Those areas may have different temperatures and/or cooling approaches that must be taken into consideration to maintain the product within the specified operating temperature.

FIG. 5 shows an AMX device installed in a wall with a filled volume (such as with insulation or concrete), as well as with a closed volume (such as between studs in an otherwise finished wall). The diagram shows how heat generated by the device or other devices may have no way to escape, and may build up to levels that may affect device operation.

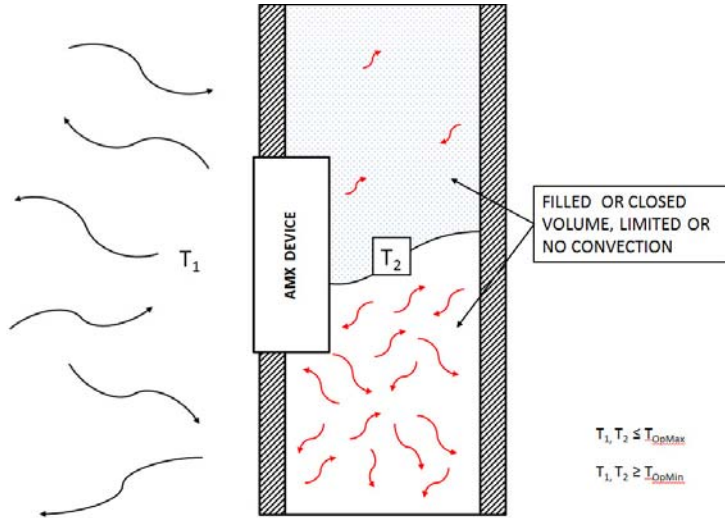


FIG. 5 HEAT CONVECTION IN FILLED OR CLOSED VOLUME, LIMITED OR NO CONVECTION

In FIG. 6, the diagram displays an AMX device in a typical rack mounting, with full air circulation around the front and back of the device. In this case, the main concern is with heat building up between components, possibly to levels that may affect device operation.

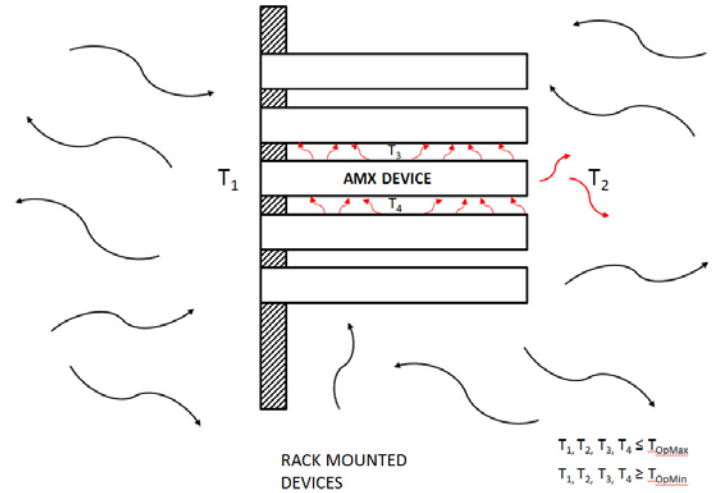


FIG. 6 HEAT CONVECTION IN RACK-MOUNTED DEVICES

Installation Recommendations

During any installation, a lack of ventilation may produce conditions that may adversely affect the device's operation. In these circumstances, special care must be made to make sure that temperatures within enclosed areas do not exceed the device's maximum rated temperature.



Last Revised: 11/12/2015

© 2015 Harman. All rights reserved. Modero X and Modero X Series, AMX, AV FOR AN IT WORLD, HARMAN, and their respective logos are registered trademarks of HARMAN. Oracle, Java and any other company or brand name referenced may be trademarks/registered trademarks of their respective companies.

AMX does not assume responsibility for errors or omissions. AMX also reserves the right to alter specifications without prior notice at any time. The AMX Warranty and Return Policy and related documents can be viewed/downloaded at www.amx.com.

3000 RESEARCH DRIVE, RICHARDSON, TX 75082 AMX.com | 800.222.0193 | 469.624.8000 | +1.469.624.7400 | fax 469.624.7153

AMX (UK) LTD, AMX by HARMAN - Unit C, Auster Road, Clifton Moor, York, YO30 4GD United Kingdom • +44 1904-343-100 • www.amx.com/eu/

93-5969-62 REV: B

