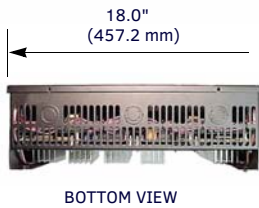
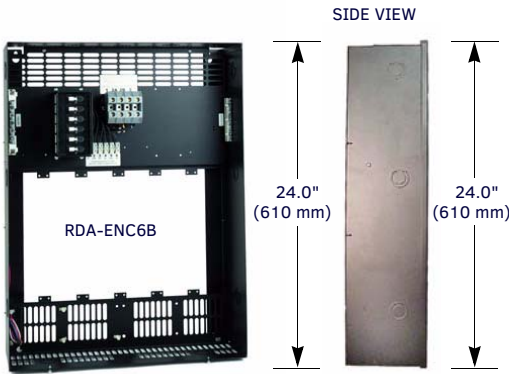
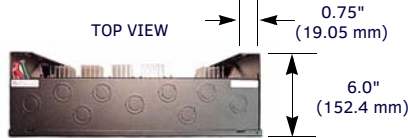


Overview

The RDA-ENC6B (FG606-13) enclosure provides secure mounting for AMX Lighting and ProLink controllers, and lighting modules. These enclosures contain circuit breakers. They also provide 18 knockouts for 1/2", 3/4", and 1" conduits. They include circuit breakers and terminals for multi-phase wiring.

These enclosures are CE, UL, and C-UL approved.



RDA-ENC6B Configurations:
 - ENC6B/120 20 A Breakers
 - ENC6B/240 10 A Breakers

Note:
 LINE INPUTS: 120 A MAX PER TERMINAL
 Use 75° C copper conductors only.
 Torque terminals to 44 in-lbs.

FIG. 1 TOP, FRONT, BOTTOM, AND SIDE VIEWS OF THE RDA-ENC6B ENCLOSURES

Installation Instructions:

- For indoor use only.
- Mount on vertical surface only.
- Maintain 12" (304.88 mm) minimum clearance above and below the enclosure.
- Route class 1 conductors through upper conduit knockouts.
- Route class 2 conductors through lower conduit knockouts.
- Use 75°C (167°F) copper conductors only.
- Install filler plate #28-10500 (RDA-EFP) in all unused openings.
- Install only UL approved modules (see the UL Number Cross Reference to AMX Lighting ID table).

Enclosure Weights:

- RDA-ENC6B: 16.5 lbs. (7.48 kg)

Dimensions between center lines (from FIG. 2):

RDA-ENC6B:

- A to B = 16.0" (406.4 mm)
- B to C = 22.88" (581.2 mm)

Radia enclosures must be mounted on a vertical surface with a minimum of 12" (304.8 mm) clearance above and below the enclosure.

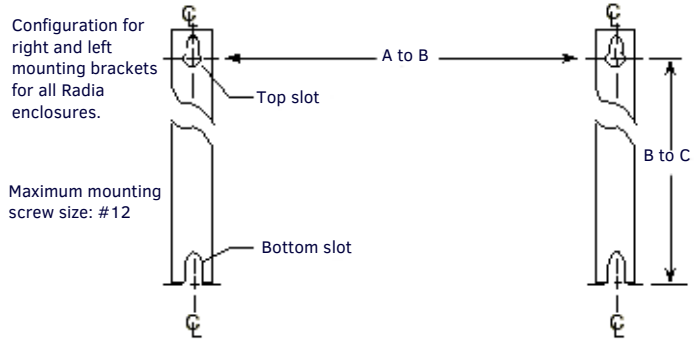


FIG. 2 BRACKET CONFIGURATION

Specifications

- Maximum input wire #1/0 AWG (50mm²)
- Maximum line input is 120 A (per terminal)
- Torque input wire to 44 in-lbs. (5.0 N/m)
- Wire stripping length: 0.67 inches (17 mm)
- Input 1 feeds channels 1, 4, 7, and 10
- Input 2a feeds channels 5 and 11
- Input 2b feeds channels 2 and 8
- Input 3 feeds channels 3, 6, 9, and 12
- Breakers are UL 489 listed 10,000 AIC, 100% Switching Duty, Hydraulic-Magnetic

The following table cross references the UL ID module numbers and AMX Lighting module IDs. The modules identified are the only ones that can be used in the RDA-ENC6B enclosures.

UL NUMBER CROSS REFERENCE TO AMX LIGHTING ID	
UL ID	AMX ID
28-10140	RDD-DM6/120
28-10150	RDD-DM6/240
28-10160	RDD-DM6/277
28-10170	RDA-PSM/120
28-10200	RDM-INC
28-10210	RDM-2INC
28-10260	RDM-3SWM
28-10350	RDM-2FDB
28-10370	RDM-DC, RDM-2DC, RDM-3DC

Lighting Application Drawings

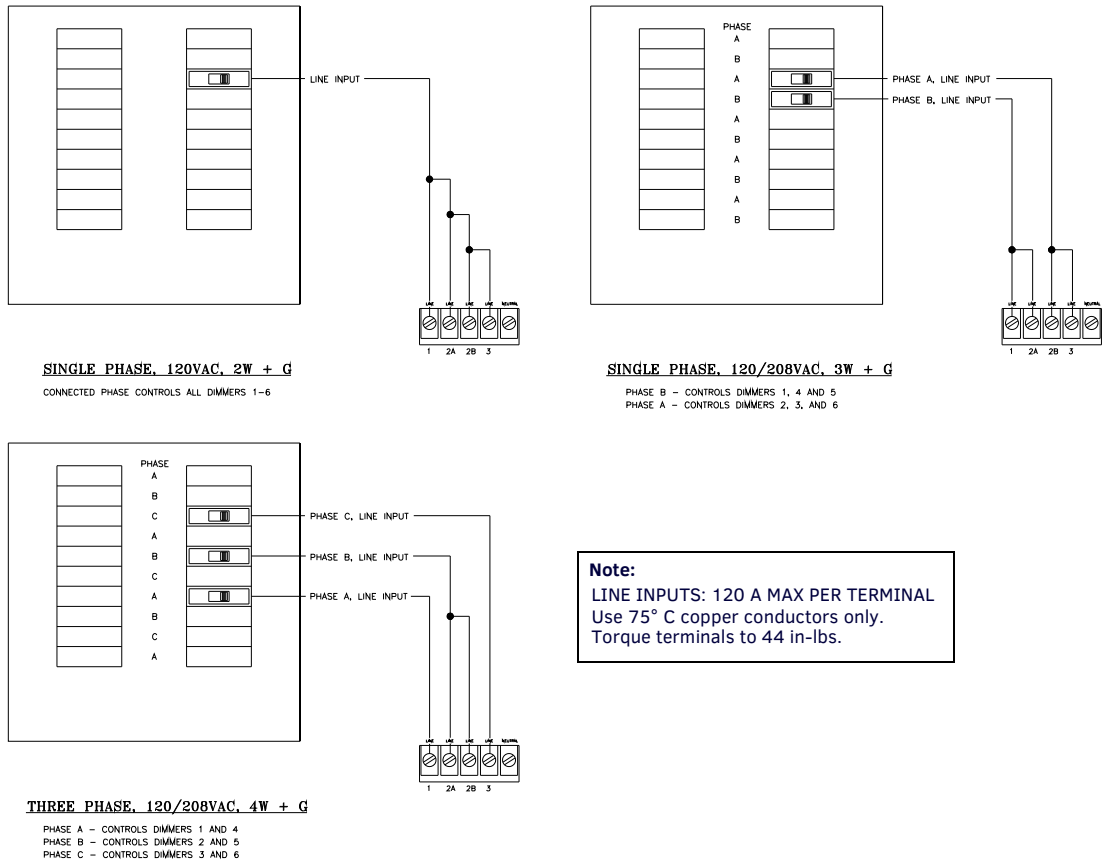


FIG. 3 ENC6B AND ENC12B POWER DISTRIBUTION

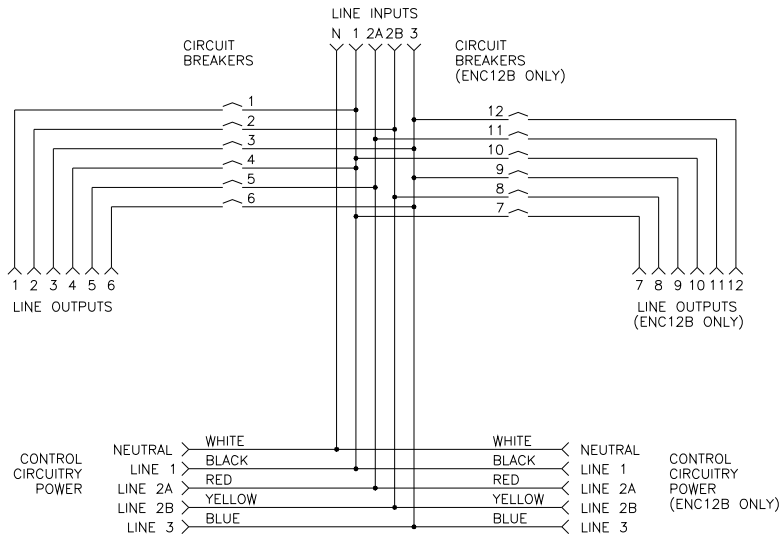


FIG. 4 ENC6B AND ENC12B INPUT TERMINAL BLOCK WIRING

